

ESB Series



NEW!

Sensing type	Diffuse reflective – Background suppression
Sensing distance	2 ~ 300mm (matte white paper)
Setting distance	30~300mm
Spot size	About Ø16mm/30cm
Hysteresis	≤5%
Output	NPN/PNP Open – collector
Switch type	L.on /D.on switchable
Indicators	Power: green; motion indicator: red
Response time	≤1ms
Sensitivity adjustment	6 turns adjuster
Light source	Red LED 623nm (modulation)
Supply voltage	10~30V DC
Residual voltage	<1.5V
Current consumption	≤25mA
Load current	≤100mA
Circuit protection	Power reverse polarity protection/surge protection/short circuit protection
Ambient illuminance	Sunlight ≤10,000 lux, incandescent lamp ≤3,000 lux
Ambient temperature	Working temperature: -25°C~+55°C, no freezing; storage: -30 ~ +70°C
Ambient humidity	Working: 35%~85%RH; storage: 35%~95%RH,; no condensation
Degree of protection	IP67
Connection	φ 4 mm, 2 m 4 wire cable
Material	PBT+glass fiber (housing); PMMA (lens)
Accessories	screwdriver
Model No.	NPN <b>ESB-B30N</b> PNP <b>ESB-B30P</b>

Guidance

Photoelectric

- Cylindrical
- Square
- Flat type
- Thin type

BGS

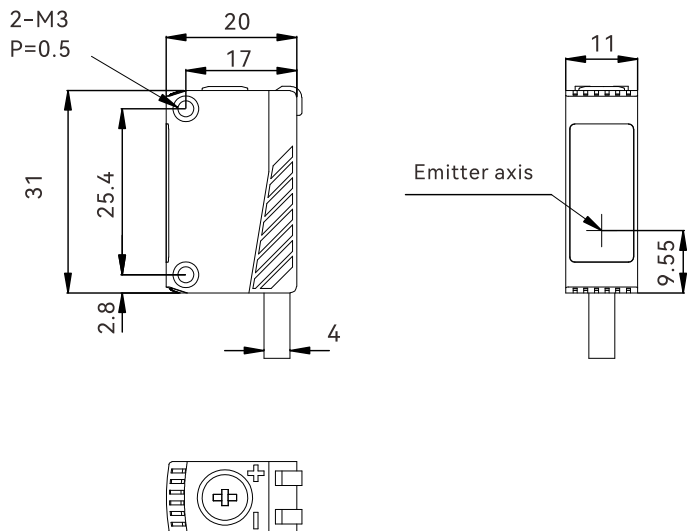
- Transparent detection
- Color/Mark Detection
- TOF type
- IP69K high protection type
- Anti-glare type
- IO-Link type

Reflectors

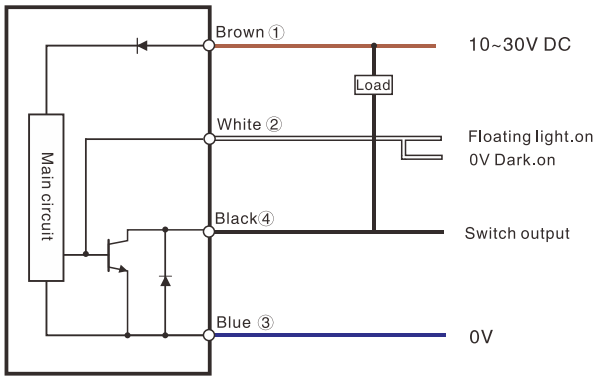
- Reflectors

Dimensions

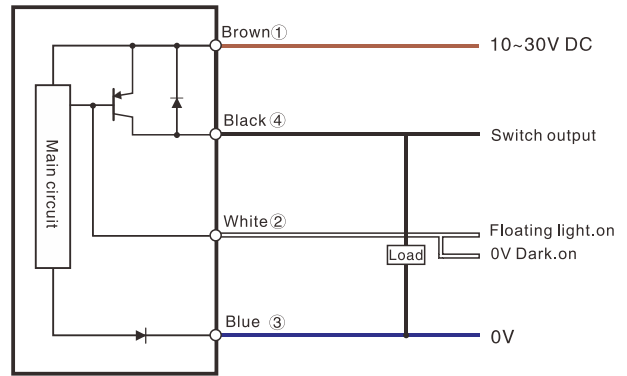
Unit: mm



NPN Output



PNP Output



Fiber Optic

Slot Sensors

Photoelectric

Laser

Proximity

Displacement

Magnetic

Contact

Area

Ultrasonic

Vision

Code Readers

Vibration

Temperature

Accessories

Guidance

Photoelectric

Cylindrical

Square

Flat type

Thin type

BGS

Transparent detection

Color/Mark Detection

TOF type

IP69K high protection type

Anti-glare type

IO-Link type

Reflectors

Reflectors