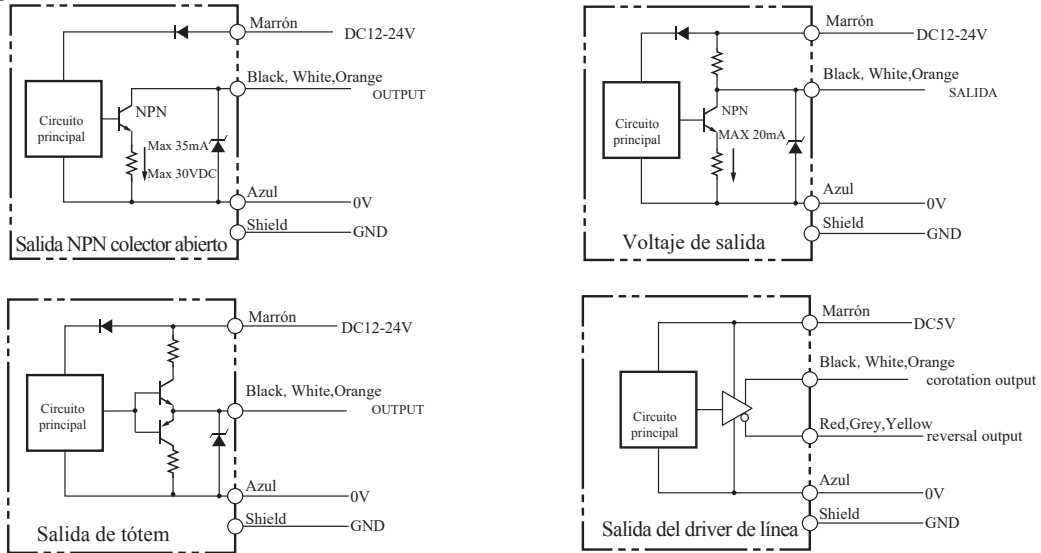


Mechanical specification	Starting torque	$\leq 0.01N \cdot m (+20^{\circ}C)$	Ambient specification	Short-circuit protection	output and power supply	
	Rotor inertia	$0.3 \times 10^{-6} kg \cdot m^2$		Ambient temperature	$-10 \sim +70^{\circ}C$	
	Shaft loading	Radial		20N	Store temperature	$-25 \sim +85^{\circ}C$
		Thrust		10N	Ambient humidity	35~85%RH
	Max revolution	5000rpm		Dielectric strength	500VAC 50/60Hz for 1 min	
	Cable	Material		PVC	Insulation resistance	$\geq 50M\Omega$
		Length		2m	Anti-vibration	0.75mm amplitude at 10-55Hz
Diameter		$\Phi 5mm$	Anti-impact	Max 50G		
Weight	200g		Protection	IP54		

■ Connections



Cable color	Brown	Blue	Black	Red	White	Grey	Orange	Yellow	Shield
NPN open collect output	Vcc	0V	A	-	B	-	Z	-	G
Totem pole output	Vcc	0V	A	-	B	-	Z	-	G
Voltage output	Vcc	0V	A	-	B	-	Z	-	G
Line driver output	Vcc	0V	A	\bar{A}	B	\bar{B}	Z	\bar{Z}	G

■ Dimensions(unit:mm)

