



NEW!



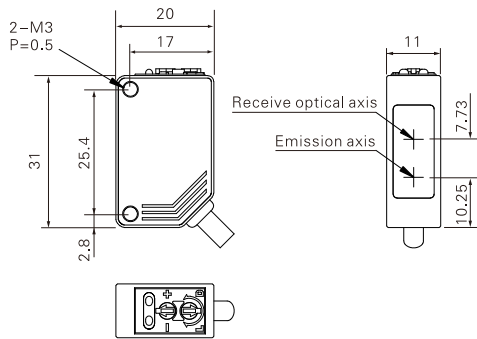
NEW!

Appearance			
Sensing type	Disfuse refection-BGS		
Sensing distance	1~10cm	1~15cm	1~30cm
Hysteresis	≤5%	≤20%	≤5%
Output type	NPN/PNP Open-collector, ≤100mA/30V DC		
Switch type	L.on/D.on selectable		
Indicator	Operation indicator: Green Motion indicator: Red		
Response time	≤2ms	5ms	≤2ms
Sensitivity adjustment	Adjuster(6 turns)	Adjuster (single turns)	Adjuster(6 turns)
Light source	Red LED small spot 623nm (modulation)	Red LED 623nm (modulation)	
Operating voltage	10~30V DC ± 10%	10~24V DC ± 10%	10~30V DC ± 10%
Current consumption	≤30mA		
Ambient luminance	Sunlight ≤ 5,000Lux, Incandescent lamp ≤ 3,000Lux		
Ambient temperature	-25℃~55℃ no freezing		
Ambient humidity	35~85% RH, No condensation		
Degree of protection	IP65		
Connection method	2M/3 core cable		
Material	PBT+fiberglass(body); PMMA(Window)		
Accessories	Screwdriver		
Model No.	NPN PNP	<b>ESB-S10N</b> <b>ESB-S10P</b>	<b>ESB-15N</b> <b>ESB-15P</b>
			<b>ESB-30N</b> <b>ESB-30P</b>

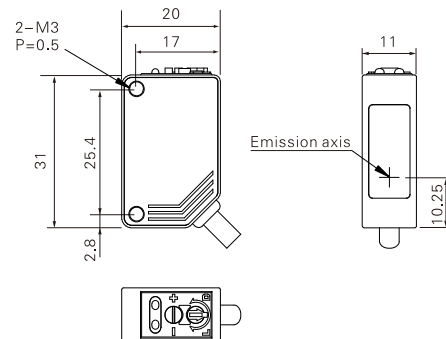
Dimensions

Unit: mm

ESB-S10/15N(P)

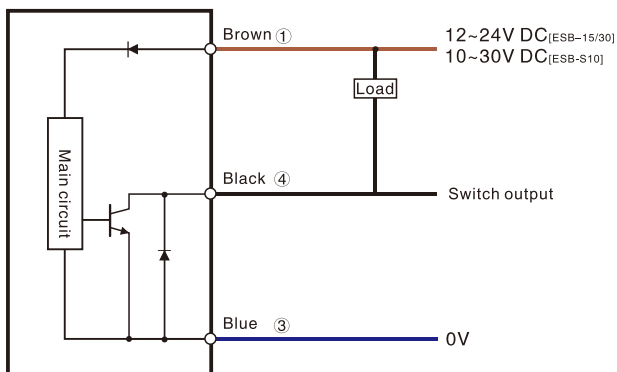


ESB-30N(P)

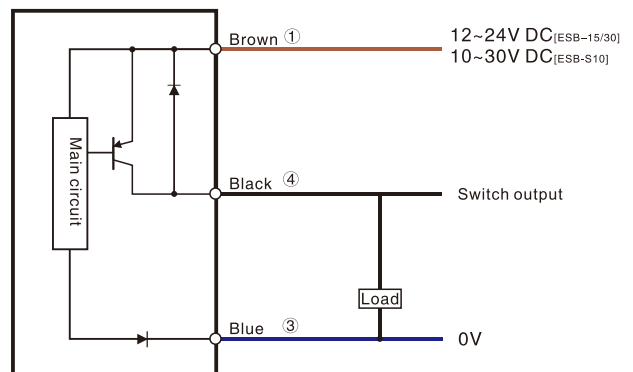


ESB-S10/15/30N(P)

NPN Output



PNP Output



- Fiber Optic
- Slot Sensors
- Photoelectric**
- Laser
- Proximity
- Displacement
- Magnetic
- Contact
- Area
- Ultrasonic
- Vision
- Vibration
- Temperature
- Annexes

Guidance

Photoelectric

- Cylindrical
- Square
- Flat type
- Thin type
- BGS**
- Transparent detection
- Color/Mark Detection
- TOF reflective
- IP69K high protection type
- Anti-glare type

Reflectors

- Reflectors

ESB Series

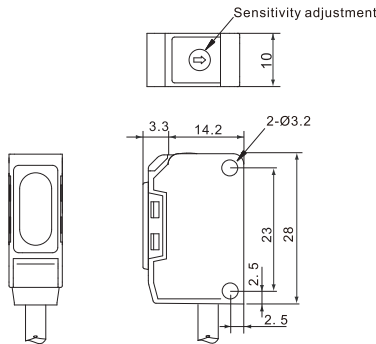


Appearance			
Sensing type	Diffuse refection-BGS		
Sensing distance	1~8cm	1~30cm	1~20cm
Hysteresis	≤10%	5%	10%
Output type	NPN/PNP Open – collector, ≤100mA/30V DC		
Switch type	Selectable L.on / D.on		
Indicator	Output indicator:Red	Operation indicator: Green; Output indicator: Red	
Response time	≤0.5ms	≤0.5ms	<2ms
Sensitivity adjustment	5–turn adjuster	4–turn adjuster	Multi–turn potentiometer
Light source	Red LED (660nm)		
Operating voltage	10~30V DC ± 10%		
Current consumption	<20mA	≤30mA	...
Ambient light	Sunlight ≤10,000Lux, Incandescent lamp ≤3,000Lux		
Ambient temperature	-25°C~55°C no freezing		
Ambient humidity	35~85% RH, No condensation		
Degree of protection	IP67		IP65
Connection	2M/4 core cable	2M/3 core cable	2M/4 core cable
Material	PBT(body);PC(window)	ABS(Body); PMMA(window)	ABS(body);PC(window)
Accessories	Bracket, screwdriver, mounting screw	Bracket, mounting screws	Bracket, screwdriver, mounting screw
Model No.	NPN PNP	ESB-S08N ESB-S08P	ESB-Z30N ESB-Z30P
			ESB-20N ESB-20P

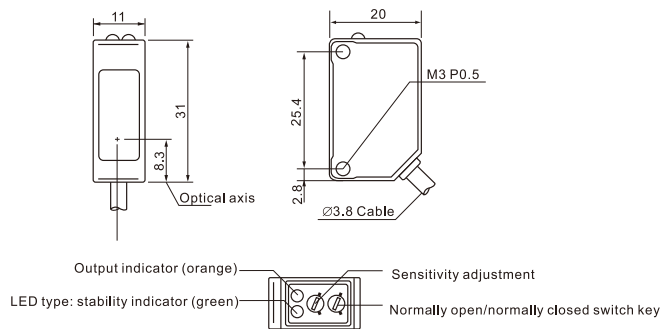
Dimensions

Unit: mm

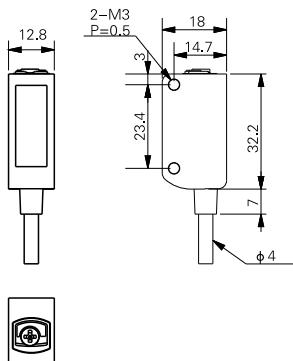
ESB-S08N(P)



ESB-Z30N(P)



ESB-20N(P)



Guidance

Photoelectric

- Cylindrical
- Square
- Flat type
- Thin type

BGS

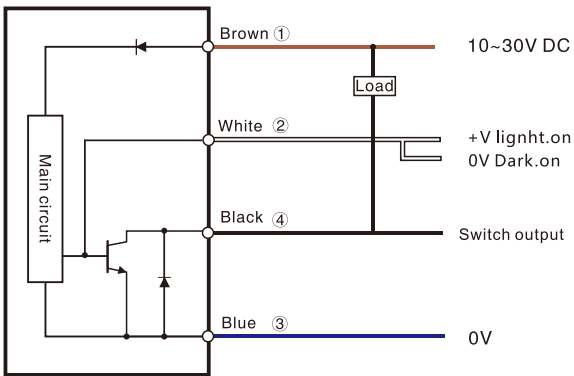
- Transparent detection
- Color/Mark Detection
- TOF reflective
- IP69K high protection type
- Anti-glare type

Reflectors

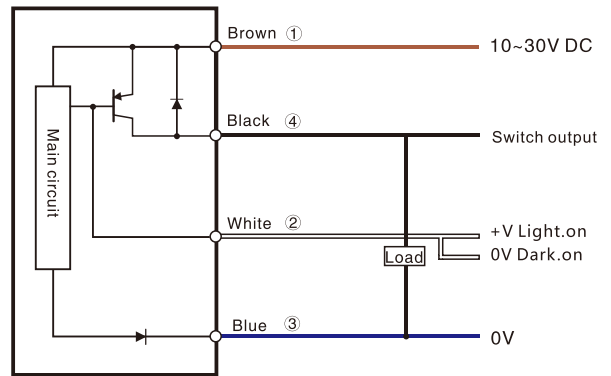
Reflectors

ESB-S08N(P)

NPN Output

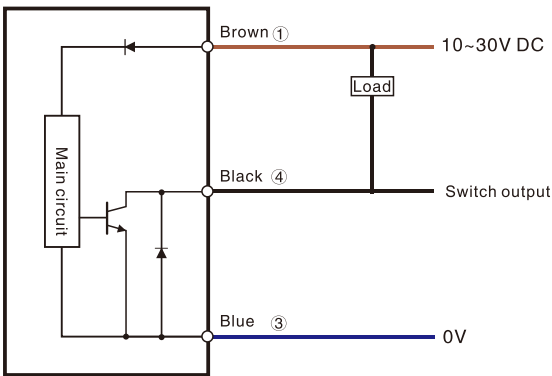


PNP Output

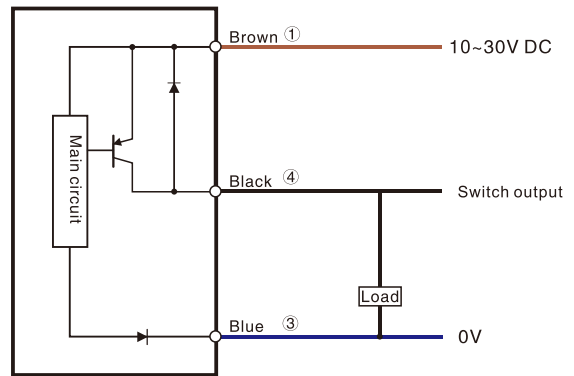


ESB-Z30N(P)

NPN Output

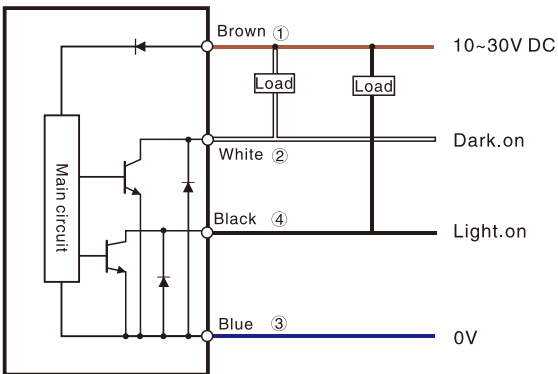


PNP Output

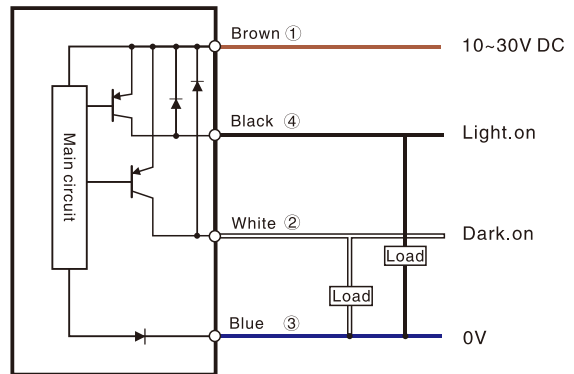


ESB-20N(P)

NPN Output



PNP Output



Fiber Optic

Slot Sensors

Photoelectric

Laser

Proximity

Displacement

Magnetic

Contact

Area

Ultrasonic

Vision

Vibration

Temperature

Annexes

Guidance

Photoelectric

Cylindrical

Square

Flat type

Thin type

BGS

Transparent detection

Color/Mark Detection

TOF reflective

IP69K high protection type

Anti-glare type

Reflectors

Reflectors