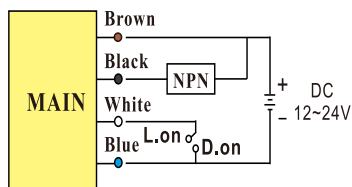


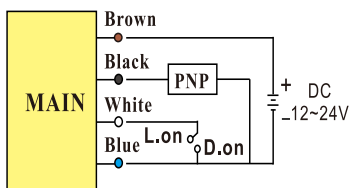
Photo Sensor

◆ Wiring diagrams / 接線圖 :

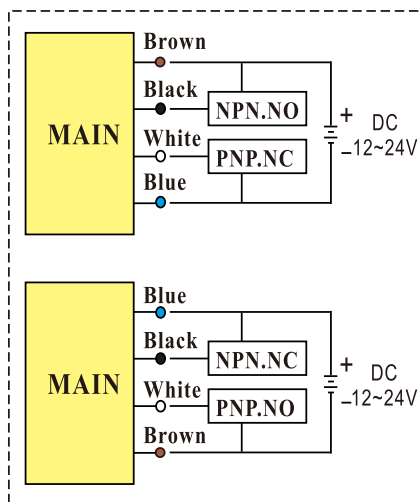
- RMF□-N
- MMF□-N



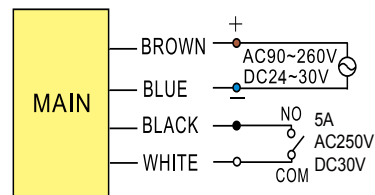
- RMF□-P
- MMF□-P



- MF□-KP2

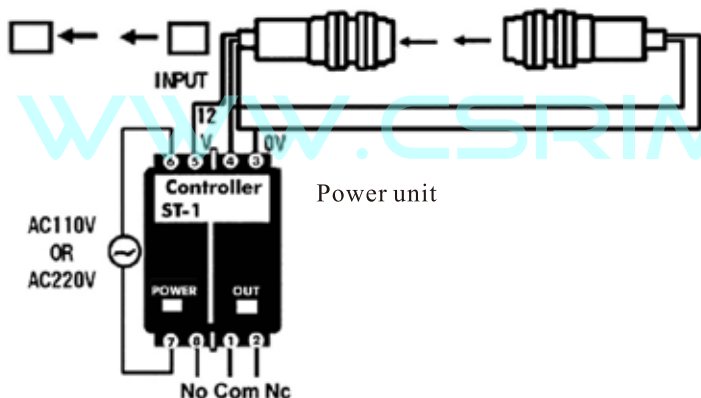


- R3JK□-A3

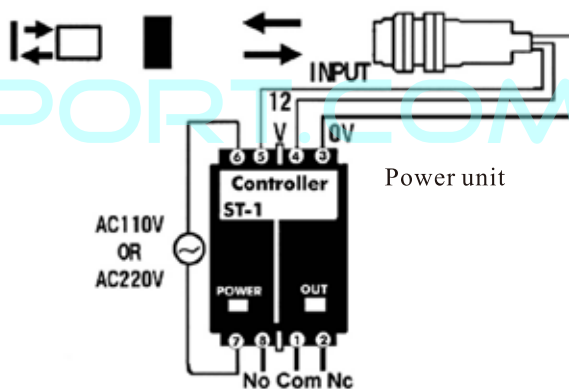


◆ Connections / 接線應用圖 :

- THROUGH-BEAM / 對照式



- DIFFUSE REFLECTION / 擴散反射式
- RETROREFLECTIVE / 鏡片反射式



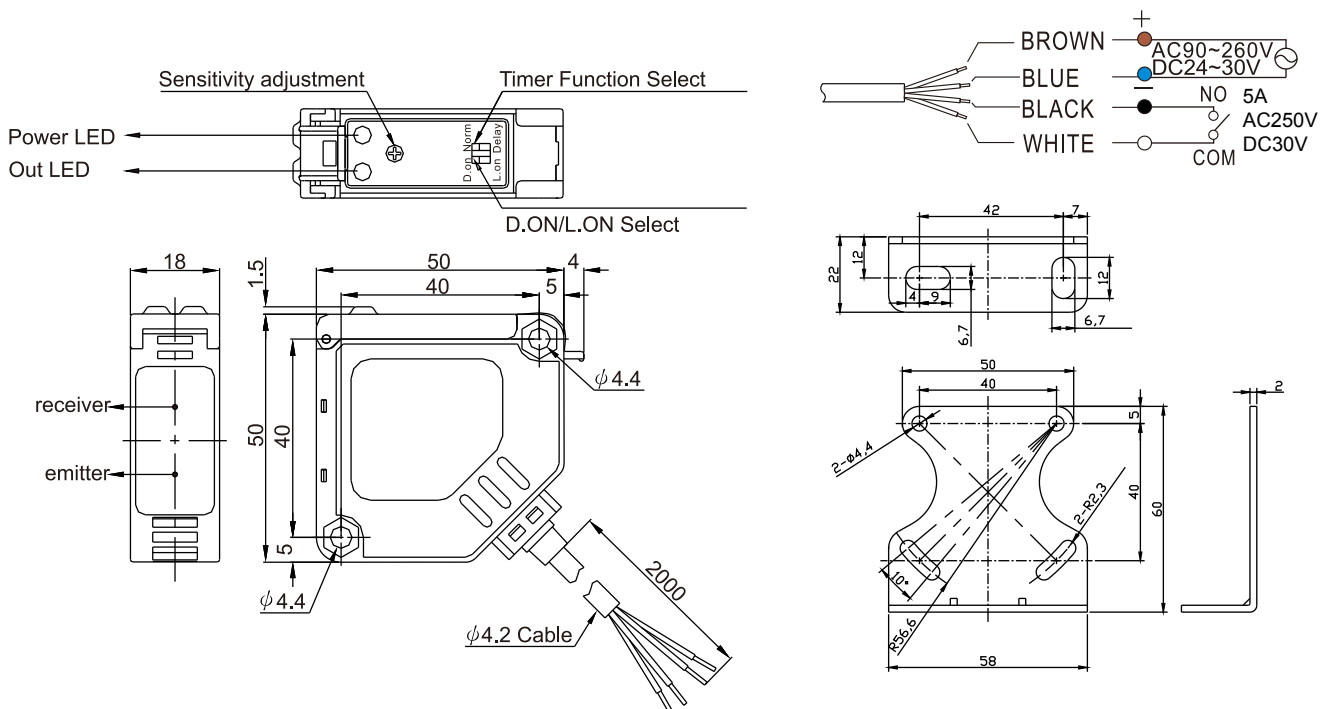
◆Shape / 外觀 :



◆Specifications / 規格表 :

Model / 型號	R3JK-DU50A3 R3JK-DU100A3	R3JK-R5A3	R3JK-10A3 R3JK-30A3
Sensing type / 檢出方式	Diffuse reflection / 擴散反射式	Retroreflective / 鏡片反射式	Through beam / 對照式
Sensing distance / 檢出距離	50 cm / 100cm 白紙300 x 300	5M	10M / 30M
Emitting light / 發光源	Infrared LED 850 nm /Infrared LED 940 nm	Infrared LED 940 nm	Infrared LED 850 nm
Operating voltage / 工作電壓	AC90 ~ 260V DC24~30V		
Current Consumption / 消耗電流	25 mA Max.		
Load current / 負載電流	Relay : DC30V 5A/ AC250V 5A		
Output type / 輸出模式	Relay out Com./NO.		
Response time / 反應時間	1.5 ms Max.		
Insulation resistance / 隔離阻抗	20MΩ min. (DC500V)		
Voltage withstandability / 絕緣耐壓	AC1000V 60Hz for 60 Sec.		
Operating temperature/工作溫度	- 20 °C ~ + 60 °C		
Ambient humidity / 工作溼度	35% ~ 85% RH		
Protection degree / 防水等級	IP65		
Material / 外觀材質	ABS		
Wiring method / 出線方式	Pre-wired Ø4.2 x 2 M / 4-wires		
Weight / 重量	Approx. 85g	Approx. 85g	Approx. 165g

◆Dimensions/尺寸圖 :



Long Sensing Range Photo Sensor

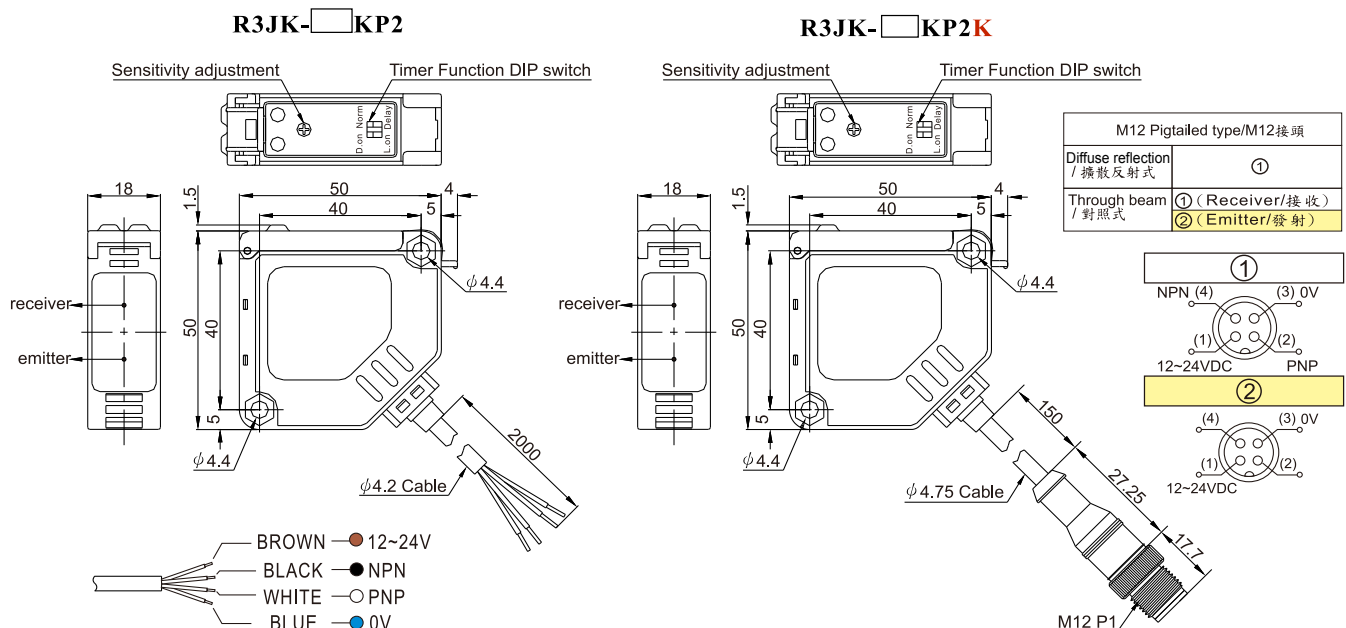
◆Shape / 外觀 :



◆Specifications/ 規格表 :

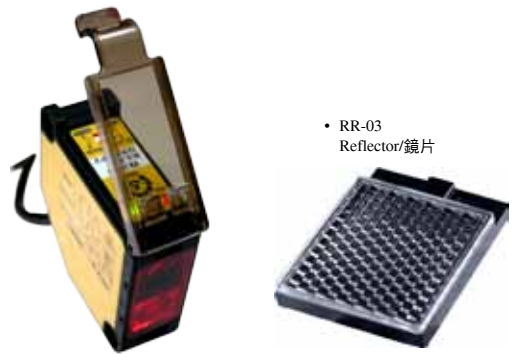
Model / 型號	Pre-wired Ø4.2	R3JK-R5KP2	R3JK-DU50KP2 R3JK-DU100KP2	R3JK-10KP2 R3JK-30KP2
	M12 Pigtailed type	R3JK-R5KP2K	R3JK-DU50KP2K R3JK-DU100KP2K	R3JK-10KP2K R3JK-30KP2K
Sensing type / 檢出方式		Retroreflective / 鏡片反射式	Diffuse reflection / 擴散反射式	Through beam / 對照式
Sensing distance / 檢出距離		5M	50cm 100cm	10M 30M
Emitting light / 發光源		Infrared LED 940 nm	Infrared LED 940 nm	Infrared LED 850 nm
Operating voltage / 工作電壓		DC12 ~ 24 V		
Current Consumption / 消耗電流		30 mA Max.		
Load current / 負載電流		100mA Max. at DC24V		
Output type / 輸出模式		NPN N.O./N.C. PNP N.O./N.C.		
Response time / 反應時間		1.5 ms Max.		
Insulation resistance / 隔離阻抗		20MΩ min. (DC500V)		
Voltage withstandability / 絕緣耐壓		AC1000V 60Hz for 60 Sec.		
Operating temperature/工作溫度		- 20 °C ~ + 60 °C		
Ambient humidity / 工作溼度		35% ~ 85% RH		
Protection degree / 防水等級		IP65		
Material / 外觀材質		ABS		
Wiring method / 出線方式	R3JK-□KP2	Pre-wired Ø4.2 x 2 M / 4-wires		
	R3JK-□KP2K	M12 Pigtailed type / M12接頭 15cm電線式		
Weight / 重量	R3JK-□KP2	Approx. 80g	Approx. 80g	Approx. 150g
	R3JK-□KP2K	Approx. 45g	Approx. 45g	Approx. 80g

◆Dimensions/尺寸圖 :



◆Characteristic / 特點 :

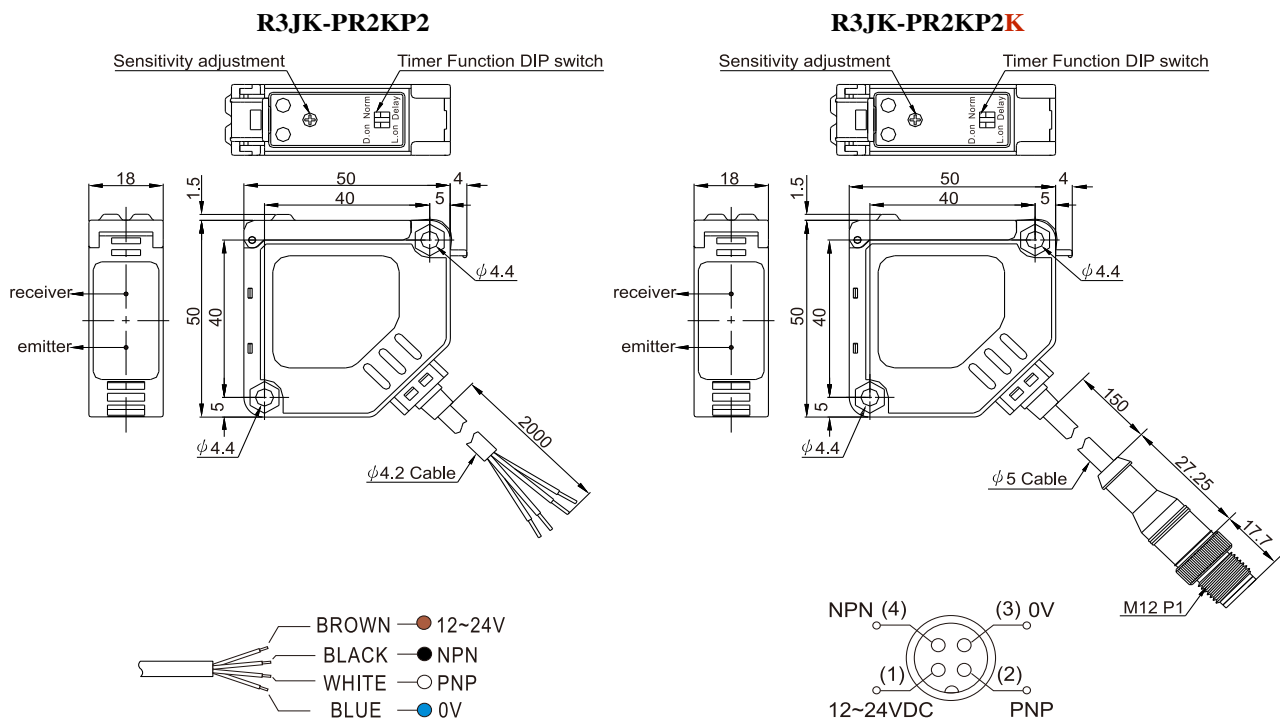
- Visible red LED makes its beam alignment easy.
/可見紅光，讓您在調整對位時，更加的清楚簡單。
- To detect the shiny surface of object more stably.
/可穩定檢出亮面的被測物。
- With PNP and NPN two output types, NO/NC switching available.
/含有PNP與NPN兩種輸出型態，且能夠作NO/NC切換。
- Special protective hood for dust-proof and greasiness-proof.
/專用防塵蓋設計，可防潑水及抗油污。



◆Specifications / 規格表 :

Model / 型號	R3JK-PR2KP2	R3JK-PR2KP2K
Sensing type / 檢出方式	Polarizing Retroreflective / 偏光鏡片反射式	
Sensing distance / 檢出距離	2M	
Emitting light / 發光源	Red LED 650 nm	
Operating voltage / 工作電壓	DC12 ~ 24 V	
Current Consumption / 消耗電流	30 mA Max.	
Load current / 負載電流	100mA Max. at DC24V	
Output type / 輸出模式	NPN N.O./N.C.	PNP N.O./N.C.
Response time / 反應時間	1.5 ms Max.	
Insulation resistance / 隔離阻抗	20MΩ min. (DC500V)	
Voltage withstandability / 絕緣耐壓	AC1000V 60Hz for 60 Sec.	
Operating temperature/工作溫度	- 20 °C ~ + 60 °C	
Ambient humidity / 工作溼度	35% ~ 85% RH	
Protection degree / 防水等級	IP65	
Material / 外觀材質	ABS	
Wiring method / 出線方式	Pre-wired Ø4.2 x 2 M / 4-wires	M12 Pigtailed type/ M12接頭 15cm電線式
Weight / 重量	Approx. 80g	Approx. 45g

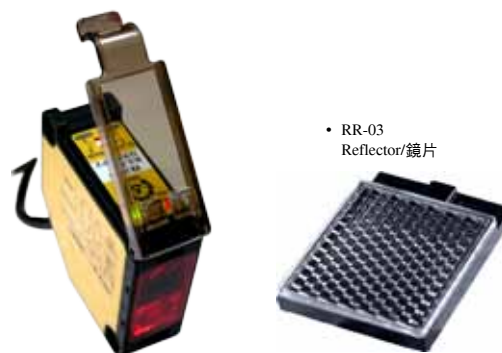
◆Dimensions/尺寸圖 :



Detect Transparent Objects Photo Sensor

◆Characteristic / 特點：

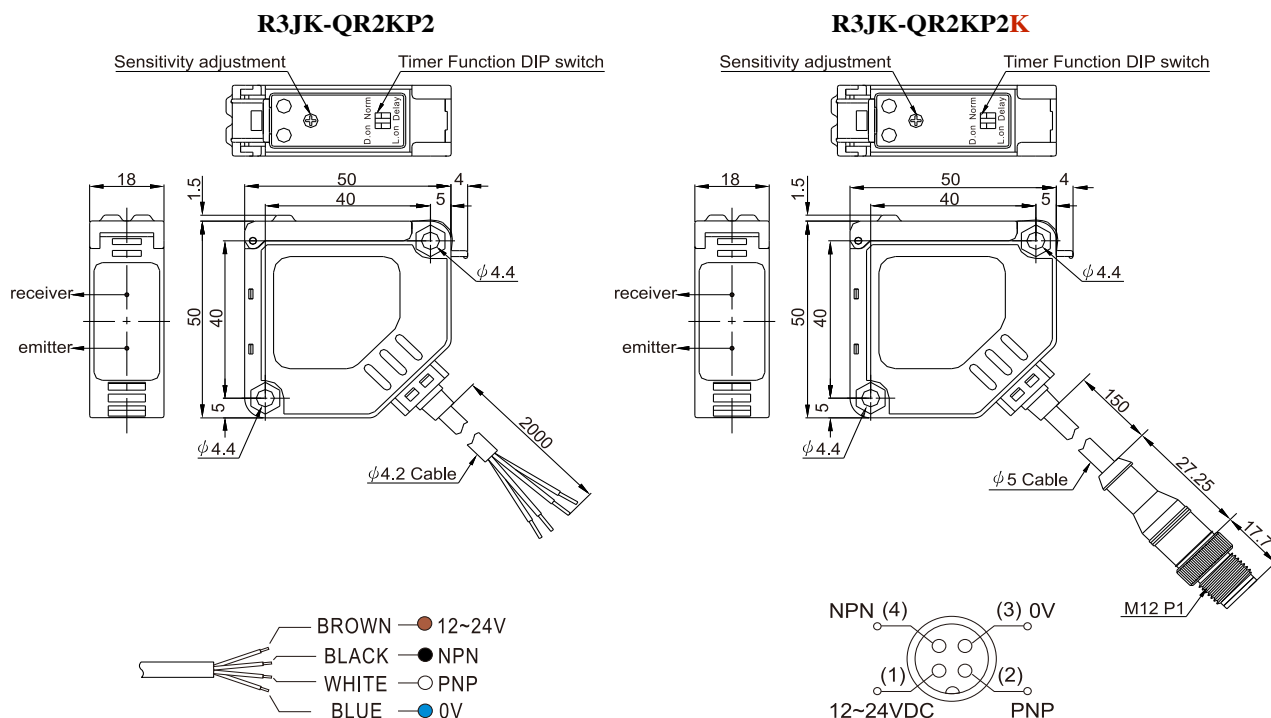
- Visible red LED makes its beam alignment easy.
/可見紅光，讓您在調整對位時，更加的清楚簡單。
- 0.2 Sec. delay function available and can be switched L.on/D.on directly.
/可選擇Delay(0.2Sec.)功能，也可切換L.on/D.on。
- It is easy to detect transparent objects and can be adjusted according to different situations.
易於透明物體檢出，並可依不同的透明物體，而調整敏感度。



◆Specifications / 規格表：

Model / 型號	R3JK-QR2KP2	R3JK-QR2KP2K
Sensing type / 檢出方式	Retroreflective(RED) / 鏡片反射式(紅光)	
Sensing distance / 檢出距離	2M	
Emitting light / 發光源	Red LED 650 nm	
Operating voltage / 工作電壓	DC12 ~ 24 V	
Current Consumption / 消耗電流	30 mA Max.	
Load current / 負載電流	100mA Max. at DC24V	
Output type / 輸出模式	NPN N.O./N.C. PNP N.O./N.C.	
Response time / 反應時間	1.5 ms Max.	
Insulation resistance / 隔離阻抗	20MΩ min. (DC500V)	
Voltage withstandability / 絕緣耐壓	AC1000V 60Hz for 60 Sec.	
Operating temperature/工作溫度	- 20 °C ~ + 60 °C	
Ambient humidity / 工作溼度	35% ~ 85% RH	
Protection degree / 防水等級	IP65	
Material / 外觀材質	ABS	
Wiring method / 出線方式	Pre-wired Ø4.2 x 2 M / 4-wires	M12 Pigtailed type/ M12接頭 15cm電線式
Weight / 重量	Approx. 80g	Approx. 45g

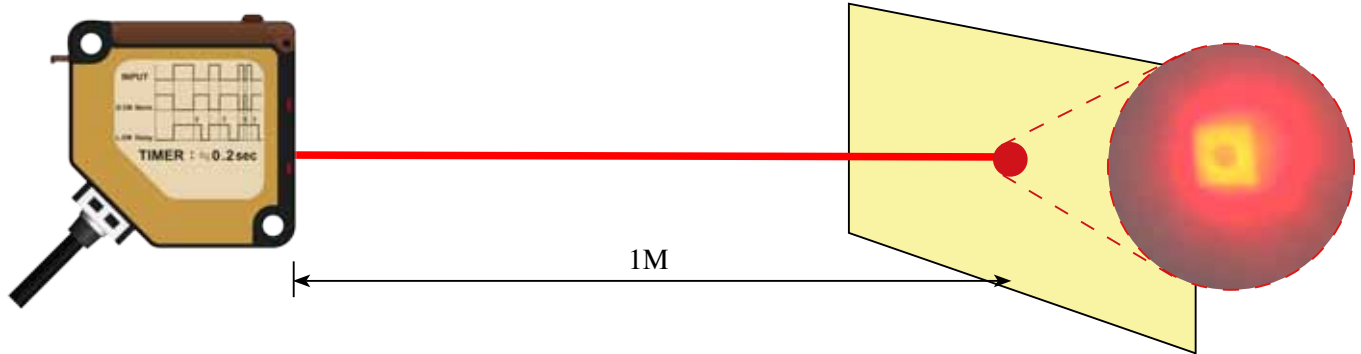
◆Dimensions/尺寸圖：



◆Introduction /介紹：

●Clearly visible red LED (QR series) / 清晰可見的紅光LED(QR系列)

The visible red LED is available at the distance of 1M. It is easy for your installation and detection.
/ 使用紅光LED，即使在1M的距離，一樣可以清楚的看見紅光，讓您在安裝檢測時更方便。



●Special design of protective hood for dust-proof / 專用防塵蓋設計

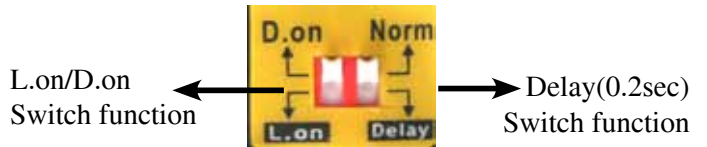
With special protective hood for dust-proof, it can avoid the breakdown caused by dust or spray.



Special protective hood for dust-proof and spray-proof.

●Import high switching capability relay. / 進口大容量Relay.

Import relay is with 0.2 Sec. delay function and can be switched L.on/D.on directly.



●Dual LED indicator / 雙LED指示燈

Visible dual LED makes you easy to know the current operating situation.



●Non-spherical optical lens / 非球面光學鏡片

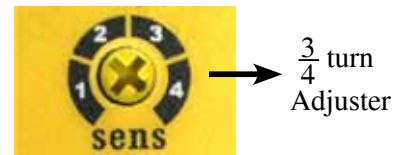
For a better focusing, with the exceptional optical lens.



Special optical lens

●Sensitivity adjuster / 可調式旋鈕

Users can adjust the sensitivity more optimum according to different situations.



◆Application / 應用例：

Detecting box passing.
/ 檢測紙盒通過

