

New Incremental Product

Easydic Miniature Type BST50

Application

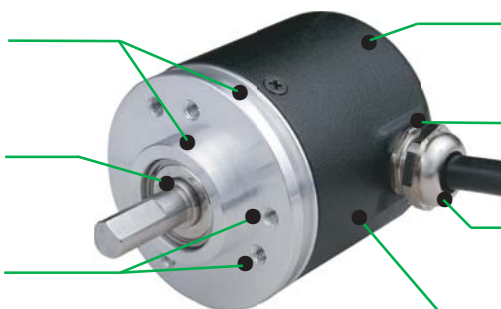
Delicate size shaft type rotary encoder BST50 series, is widely applicable to light industries with reasonable structure, can bear high axial and radial load. Standard flange includes tighten flange and synchronization flange. Many optional output mode for customer selection, this series encoder is available to be work together with different kinds of receivers or counters.

New Characteristics

Standard flange includes tighten flange and synchronization flange.

Φ8 stainless steel shaft improves the stability and protection.

Two optional mounting screw holes for customer selection.



Metal housing, upgrading the ability of shock resistance.

Protection IP54

With cable output, waterproof at the outlet

Reverse connection protected and short-circuit proof

Mechanical characteristics

Shaft (mm)	Φ8g6
Protection:	IP54
Max. Speed per min.:	6000rpm continuously
Load capacity of shaft:	30N(Axial), 60N(Radial)
Shock resistance:	50G/11ms
Vibration resistance:	10G 10~2000HZ
Axletree life:	10 r
Rotor moment of inertia:	appr.1.8×10 ⁻⁴ kgm
Starting torque:	<0.01Nm
Housing material:	aluminum UNI9002-5
Shell material:	aluminum UNI9002-5
Working temperature:	-20~+80°C
Storage temperature:	-30~+85°C
Weight:	300g

Pulse rates available at short notice:

10, 20, 30, 40, 50, 60, 70, 80, 90, 100, 200, 300, 360, 400, 500, 512, 600, 800, 1000, 1024, 1200, 1440, 1500, 2000, 2500

Not all pulse rates have stock. Please inquiry before order.

Electrical characteristics

Output circuit:	Push-pull	RS422	RS422	NPN	NPN/NPN open collector
Pulse rates:	Max. 2500ppr	Max. 2500ppr	Max. 2500ppr	Max. 2500ppr	Max. 2500ppr
Supply voltage: (VDC)	10-30V/5-30V	5V	10-30V	5-30V	5-30V
Power consumption (no load):	≤125mA	≤80mA	≤80mA	≤80mA	≤80mA
Permissible load/channel:	±80mA	±50mA	±50mA	±50mA	±50mA
Pulse frequency:	Max. 300 kHz	Max. 300 kHz	Max. 300 kHz	Max. 300 kHz	Max. 300 kHz
Signal level high:	Min. Ub-1.5V	Min. 3.4V	Min. 3.4V	Min. Ub-2.5V	Min. Ub*70% ^{*)}
Signal level low:	Max. 0.8V	Max. 0.4V	Max. 0.4V	Max. 0.4V	Max. 0.4V ^{*)}
Rise time Tr:	Max 1μs	Max 200ns	Max 200ns	Max 1μs	Max 1μs ^{**)}
Fall time Tf:	Max 1μs	Max 200ns	Max 200ns	Max 1μs	Max 1μs ^{**)}

*)NPN open collector depends on pull-up resistor, suggested resistence value 4.7Kohm

**)NPN open collector depends on pull-up resistor and cable length

Terminal assignment

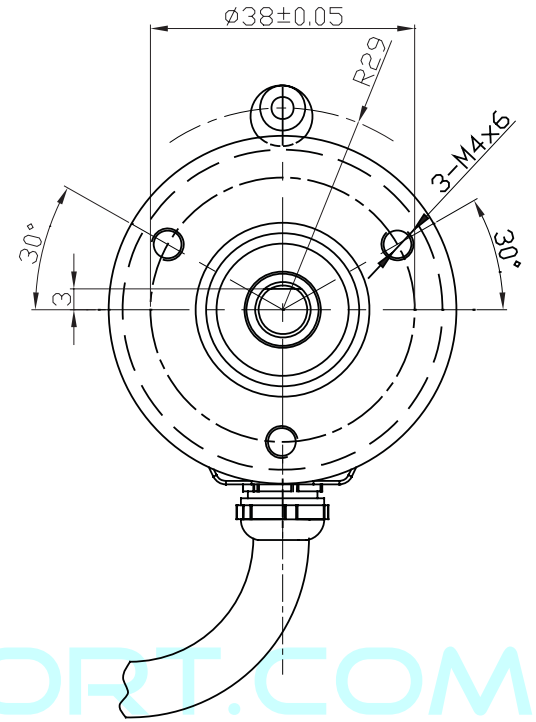
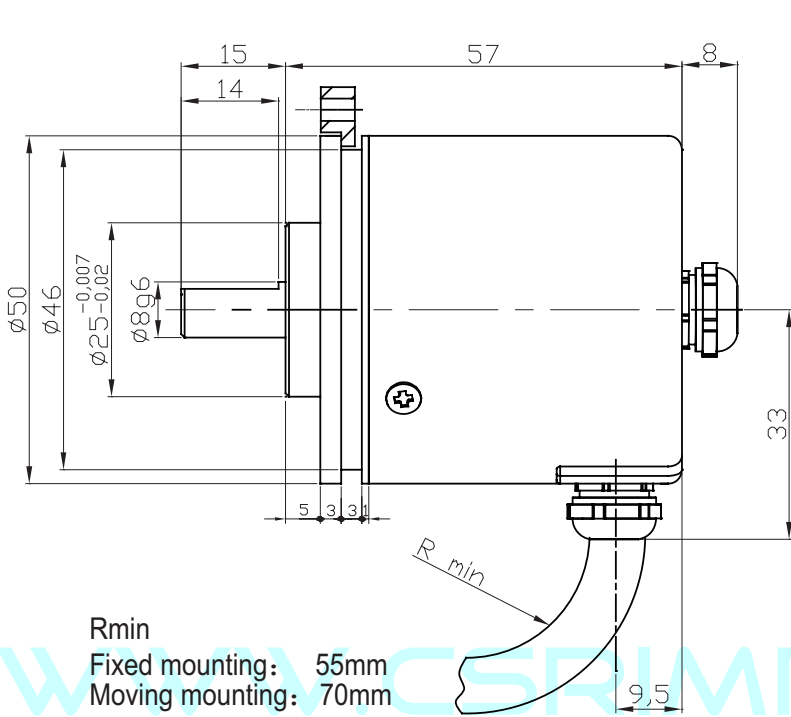
Signal	0V	+U _b	A	Ā	B	B̄	Z	Z̄	Shield
Cable color	WH	BN	GN	YE	GY	PK	BU	RD	⊥
	White	Brown	Green	Yellow	Gray	Pink	Blue	Red	

New Incremental Product

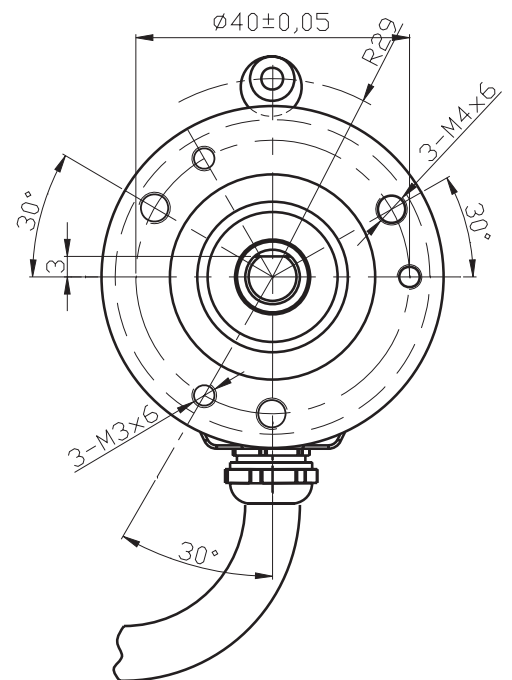
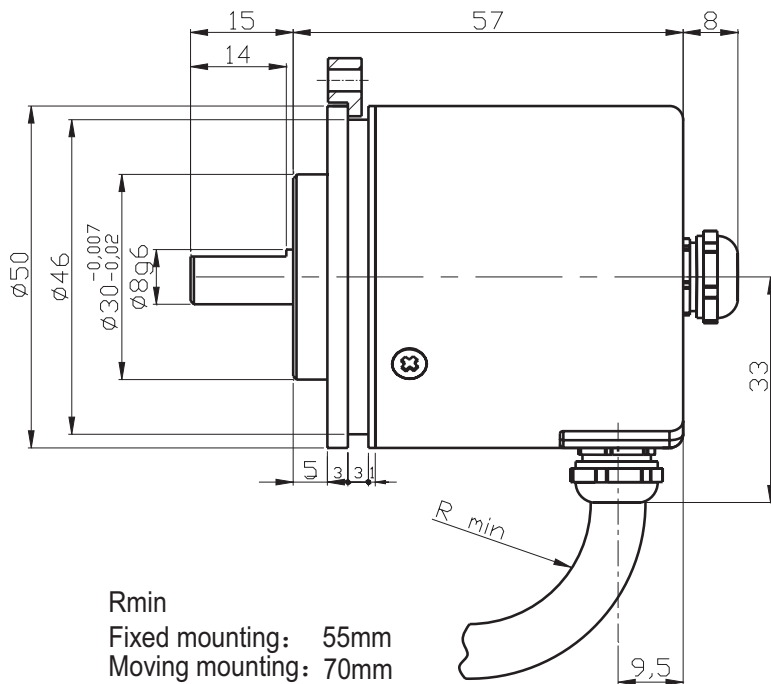
Easydic Miniature Type BST50

Dimension:

BST50A



BST50B



New Incremental Product

Easydic Miniature Type BST50

Order code:

BST 50 A 8 – L5 P R – 1024

BST=incremental
economical series

Housing dimension
50=housing dimension

Flange Type
A=circular flange \varnothing 25 mm
B=circular flange \varnothing 30 mm

Shaft
8= \varnothing 8 mm
6= \varnothing 6 mm

Pulse rate
1-2500ppr
notice: Other pulse rates on request

Output direction
R=Radial
A=Axial

Type of connection
P=output cable 0.5m
I=output cable 1m
A=output cable 2m

Output circuit and Supply voltage¹⁾

L5=RS422	5Vdc supply voltage
L6=RS422	10~30Vdc supply voltage
H6=push-pull HTL (with inverted signal)	10~30Vdc supply voltage
H4=push-pull HTL (with inverted signal)	5~30Vdc supply voltage
P6=push-pull HTL (without inverted signal)	10~30Vdc supply voltage
P4=push-pull HTL (without inverted signal)	5~30Vdc supply voltage
N4=NPN	5~30Vdc supply voltage
C4=NPN open collector	5~30Vdc supply voltage

1)When supply voltage correctly applied only one channel at a time:
(when UB= 5 V, short-circuit to channel, 0 V, or +UB is permitted.)
(when UB= 10 ...30 V short-circuit to channel or 0 V is permitted.)

CSRIMPORT[®]
Automatización Industrial

Av. Argentina N° 523 Tda. A16 C. C. Acoprom Lima 01 - Lima - Perú
Teléfono: 711-9345 / 711-9327 / 492-8462
Cel.:9625 58130 / RPM: #9625 58130
E-mail: ventas.1@csrimport.com/ventas.3@csrimport.com

www.csrimport.com