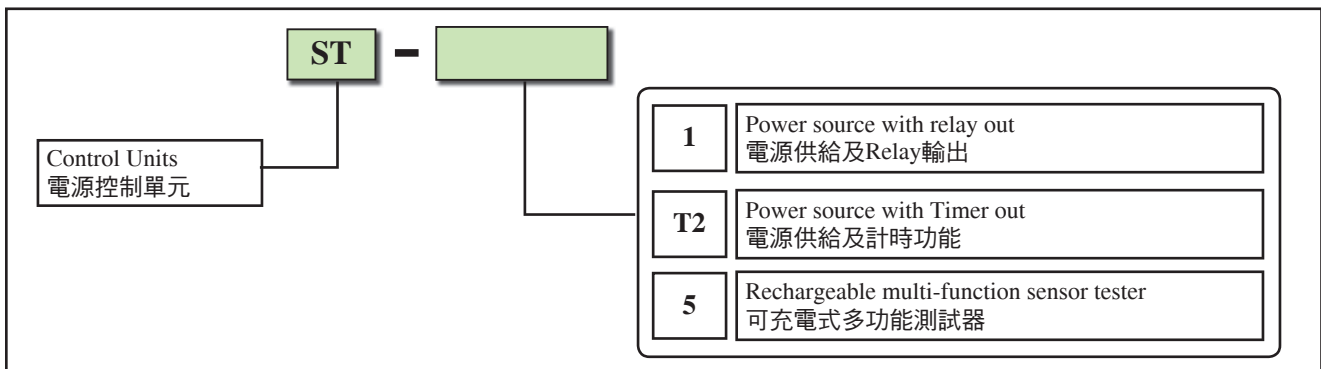


◆ Characteristic / 特性 :

- 12VDC / 50mA external power supply.  
/ 提供電源輸出DC12V / 50mA。
- Available in NPN or PNP, ON / OFF-delay, One-shot, functions.  
/ 可接受NPN或PNP輸入方式。
- ON/OFF-Delay ( 0~10sec ).  
ONE-Shot ( 0~10sec ).
- Easy for operating.  
/ 操作容易簡便。



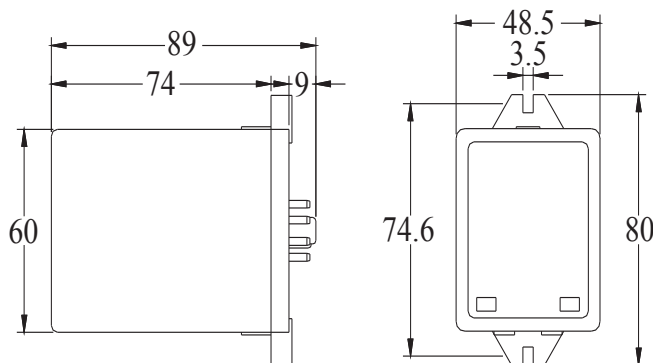
◆ Order Information / 訂貨索引 :



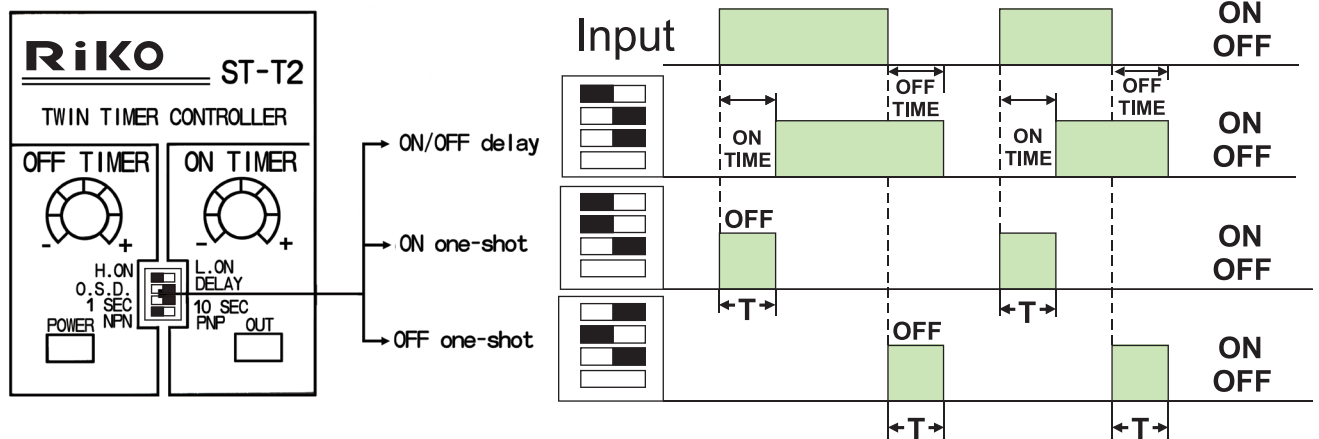
◆ Specifications / 規格表 :

| Catalog Listing / 型號           | ST-1  | ST-T2  |
|--------------------------------|---|--|
| Adopt controller / 控制選擇        | Power Source with Relay Out<br>/ 電源供給及RELAY輸出   | Power Source with Timer Function<br>/ 電源供給及計時功能                      |
| Input voltage / 輸入電壓           | AC 110 V or AC 220V 50 / 60 Hz (±10%)   |  |
| Current consumption / 消耗電流     | ≤ 8mA NO-Load   |  |
| DC Output voltage / 直流輸出電壓     | DC 12V ± 10%  |  |
| Load current / 負載電流            | 50 mA Max   |  |
| Delay timer functions / 延遲動作時間 | -   | ON / OFF - Delay Out ( 0 ~ 10 sec )<br>One - Shot Out ( 0 ~ 10 sec ) |
| Relay output / 輸出接點容量          | AC 250V 3A  |  |
| Operating temperature/工作時溫度    | - 25°C ~ + 60°C   |  |
| Weight / 重量                    | Approx.135g   | Approx.240g  |
| Remark / 備註                    | This product is used with 8PEAW, but the pedestal is extra purchase.<br>/此項產品須配座8PFAW使用,但座需另外購買 |  |

◆ Dimensions / 尺寸圖 : (unit:mm)



### ◆ ST-T2 Timing Chart / 時序圖 :



- The timer functions are selected by 4-DIP switches.  
/ 功能設定由面板指撥開關變更.
- "T" is the TIME of the Off Timer Range.  
/ T : 延遲時間範圍.
- The knob of ON TIMER must be at 0 sec. position during ON one-shot and OFF one-shot operations.  
/ 如果使用O.S.D.(ON one-shot and OFF one-shot)之功能, 請將ON TIMER旋鈕調至0 sec, 指撥開關切換至O.S.D.

### ◆ Connection / 接腳圖 :

#### SENSOR COMBINATION/ 組合應用

#### Photoelectric Sensors / 光電開關

- MF series
- RMF series
- SU series
- TQ18 series
- PK3 series
- PK5 series
- PM6 series

#### Proximity Sensors / 近接開關

- SC series
- TSC series
- SN series
- TSN series
- JND series
- SIA series
- SIR series

